

## IPC-B680H-Z 8 MP IR VF Network Turret Camera



### Key Features

- 1/2.5" progressive scan CMOS
- 3840 × 2160@15fps
- 2.8 mm to 12 mm vari-focal lens
- H.265+, H.265, H.264+, H.264
- Three stream
- 120dB WDR
- 3D DNR
- Up to 50 m IR range
- IP67

## Specifications

<b>Camera</b>	
Image Sensor	1/2.5" progressive scan CMOS
Min. Illumination	Color: 0.018 Lux @ (F1.6, AGC ON)
Shutter Speed	1/3 s to 1/100,000 s
Slow Shutter	Yes
Auto-Iris	No
Day & Night	IR cut filter with auto switch
3-Axis Adjustment	Pan: 0° to 355°, tilt: 0° to 75°, rotation: 0° to 355°
DNR (Digital Noise Reduction)	3D DNR
WDR (Wide Dynamic Range)	120 dB
<b>Lens</b>	
Focal Length	2.8 to 12 mm
Aperture	F1.6
Focus	Auto
FOV	Horizontal FOV 105° to 34.5°, vertical FOV 55° to 19°, diagonal FOV 125° to 40°
Lens Mount	Ø14
<b>IR</b>	
IR Range	Up to 50 m
Wavelength	850nm
<b>Compression Standard</b>	
Video Compression	Main stream: H.265/H.264, Sub-stream: H.265/H.264/MJPEG, Third stream: H.265/H.264
H.264 Type	Baseline profile/Main profile/High profile
H.264+	Main stream supports
H.265 Type	Main profile
H.265+	Main stream supports
Video Bit Rate	32 Kbps to 16 Mbps
<b>Smart Feature-set</b>	
Region of Interest	Support 1 fixed region for main stream
<b>Image</b>	
Max. Resolution	3840 × 2160
Main Stream	50Hz: 12.5fps (3840 × 2160), 20fps (3072 × 1728), 25fps (2560 × 1440, 1920 × 1080, 1280 × 720)
Sub-stream	50Hz: 25fps (640 × 480, 640 × 360, 320 × 240)
Third Stream	50Hz: 25fps (1280 × 720, 640 × 360, 352 × 288), 60Hz: 30fps (1280 × 720, 640 × 360, 352 × 240)
Image Enhancement	BLC/HLC/3D DNR
Image Settings	Saturation, brightness, contrast, sharpness, AGC, and white balance adjustable by client software or web browser
Day/Night Switch	Day/Night/Auto/Schedule/Triggered by Alarm In (-S)
* Note: The frame rate of the sub-stream cannot exceed the maximum frame rate of the current main stream.	
<b>Network</b>	
Alarm Trigger	Motion detection, video tampering, network disconnected, IP address conflict, illegal login, HDD error, HDD full
Network Storage	microSD/SDHC/SDXC card (128 G), local storage and NAS (NFS, SMB/CIFS), ANR Together with high-end Hikvision memory card, memory card encryption and health detection are supported.

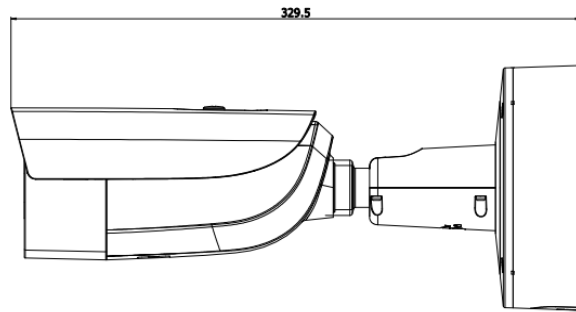
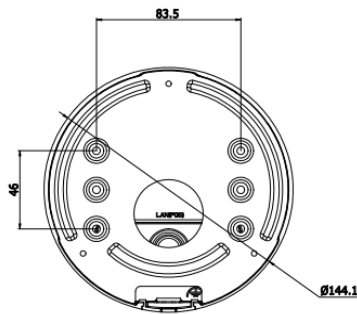
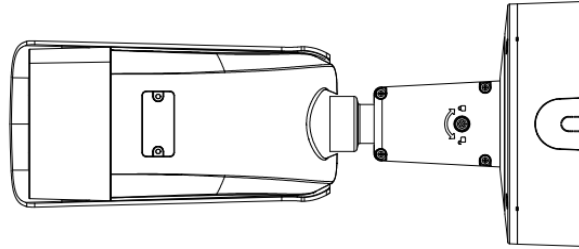
Protocols	TCP/IP, UDP, ICMP, HTTP, HTTPS, FTP, DHCP, DNS, DDNS, RTP, RTSP, RTCP, PPPoE, NTP, UPnP, SMTP, SNMP, IGMP, 802.1X, QoS, IPv6, UDP, Bonjour, SSL/TLS
General Function	Anti-flicker, three streams, heartbeat, mirror, privacy masks, password reset via e-mail, pixel counter, HTTP listening
API	ONVIF(PROFILE S, PROFILE G), ISAPI, SDK
Simultaneous Live View	Up to 6 channels
User/Host	Up to 32 users 3 levels: Administrator, Operator and User
Client	HiLookVision PC Client, HiLookVision App
Web Browser	Plug-in required live view: IE8+ Plug-in free live view: Chrome 57.0+, Firefox 52.0+, Safari 11+ Local Service: Chrome 41.0+, Firefox 30.0+
<b>Interface</b>	
Communication Interface	1 RJ45 10M/100M self-adaptive Ethernet port
On-board Storage	Built-in microSD/SDHC/SDXC slot, up to 128 GB
Reset Button	Yes
<b>General</b>	
Operating Conditions	-30 °C to 60°C (-22 °F to 140°F), humidity: 95% or less (non-condensing)
Power Supply	12 VDC ± 25%, PoE (802.3af), class 3
Power Consumption	12 VDC, 1 A, Max. 11 W PoE (802.3af, 36 V to 57 V), 0.4 A to 0.2 A, Max. 12.5 W
Ingress Protection	IP67
Material	Metal
Dimensions	Camera: $\Phi$ 114.1 × 329.5 mm ( $\Phi$ 5.4" × 5.0") With package: 385 mm × 190 mm × 180 mm (6.7" × 6.7" × 5.9")
Weight	Camera: Approx. 1335 g (2.9 lb.) With Package: 2004g (4.4lb.)

## Available Model

IPC-B680H-Z(2.8 to 12 mm)

## Dimensions

# SPEC



## Accessories



HIA-B302  
Bracket



HIA-B301  
Vertical pole mount